



Industrial & Electrical Components

General Purpose
Power Relay

Part No.

NNC68BZL-4Z



- General purpose power relay
- For plug-in socket,35mm DIN rail
- With Rotary Lock Mechanism
- LED indication

CONTACT

Arrangement	4A,4B,4C
Contact Material	AgSno2/Cu
Contact Resistive (6VDC,1A)	Max.: 100 mΩ
Rating	
Resistive load (cosφ=1)	5A 240VAC/28VDC
Max. Switching Voltage	240VAC/28VDC
Min. Breaking Capacity	1560VA /1200VA
Expected life	
Mechanical	1×10 ⁷
Electrical	1×10 ⁵

CHARACTERISTICS

Operate Time	15msec. Max.
Release Time	10msec. Max.
Dielectric Strengths(Leak Current 1 mA)	
Between Coil & Contact	1500VAC (50/60Hz) for 1 min.
Between Open Contacts	1000VAC (50/60Hz) for 1 min.
Insulation Resistance	Min.100MΩ (500 VDC)
Shock: Endurance	10G
Damage	100G
Vibration Endurance	10 to 55Hz, 1.5mm D.A.
Damage	10 to 55Hz, 1.5mm D.A.
Ambient temperature	-40°C ~+85°C
Unit weight	35g

ORDERING INFORMATION

e.g

NNC68BZL - 4C - DC12V

①

②

③

① Part No.: Z=With Rotary Lock Mechanism

L = LED indication

② Contact arrangement:

4C=4C/O;

③ Coil Voltage: DC12V=12VDC

COIL DATA (at 20°C)

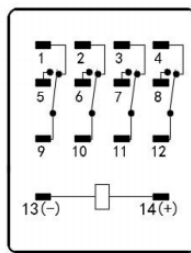
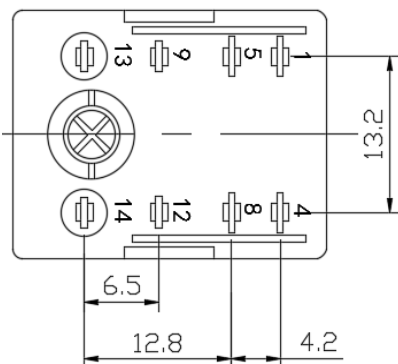
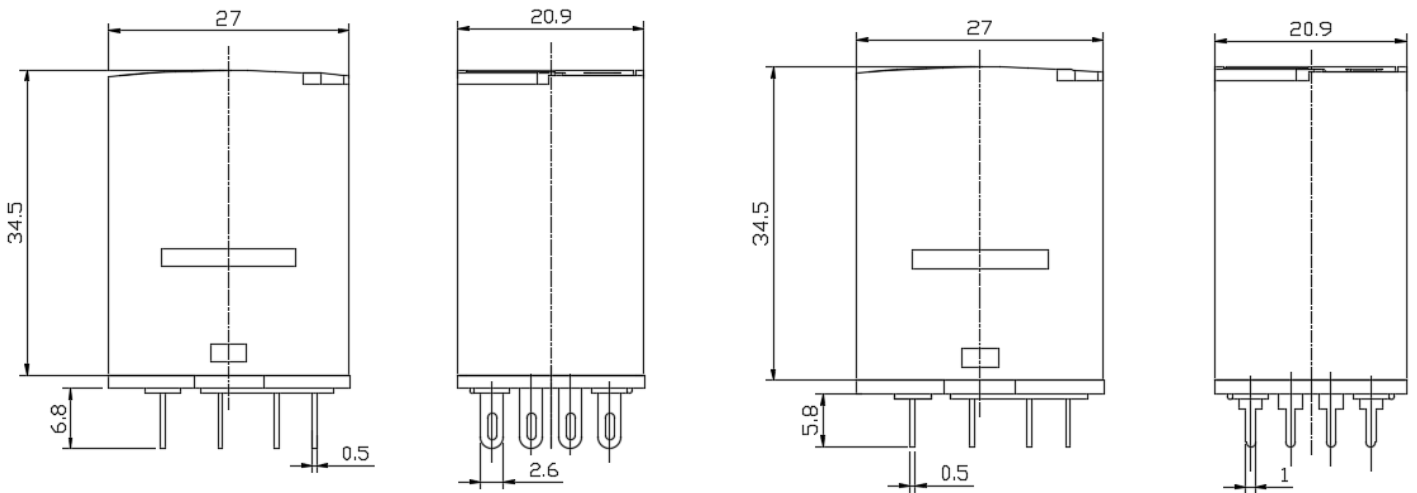
Rated Voltage	Pick-up Voltage VDC (Max)	Drop-out Voltage VDC (Min)	Coil Resistance (Ω) ± 10%	Nominal operating Power	Max.Allowable Voltage (V)
12VDC	9.00	1.20	160.00	0.9W	110% of nominal voltage
24VDC	18.00	2.40	640.00		
48VDC	36.00	4.80	2560.00		
110VDC	82.50	11.00	13450.00		
12VAC	9.60	3.60	42.00	1.2VA	
24VAC	19.20	7.20	168.00		
48VAC	38.40	14.40	672.00		
110VAC	88.00	33.00	3529.00		
220VAC	176.00	66.00	14116.00		

DIMENSIONS

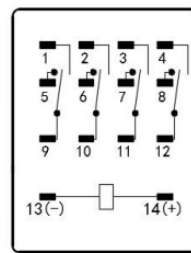
Unit: mm

4PDT(Plug-in version)

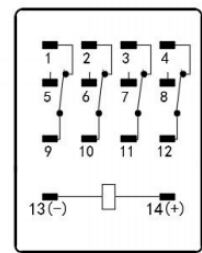
4PDT(PCB version)



4C



4A



4B