

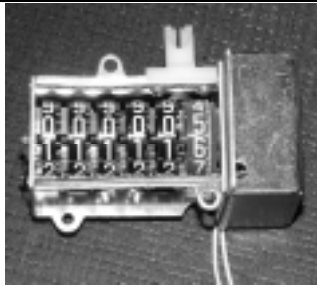


Industrial & Electrical Components

Electromagnetic Stepping Counter

Part No.

NRC2-05D



Strong Anti-Magnetization ability
 Reliable Quality
 Apply to 800/1600/3200imp/kw.h

Specifications

Drive Pulse	
Voltage	3.0V~5.0V
Pulse Width	50 mS~600 mS
Pulse Break	> 30mS
Norminal Pulse Frequency	4 Hz
Power Comsuption	< 0.04W (5V, 249mS, 2Hz)
Max.Pulse Frequency	6 Hz
Starting Voltage	3 V
Drive Moment	(40~50) uN*m/4.5V

Stepping Motor	
Resistance	450 OHM ± 50 OHM
Intensity of	
Permanental Magnetic Field	1100 GS~1300 GS
Environment	
Temp	-35 ~+75
Humidity	90%
Air Pressue	(86~106) kPa
Anti-Magnetic Disturbance	3000 A/m

Ordering Information

e.g

NRC2 - 05D - 0

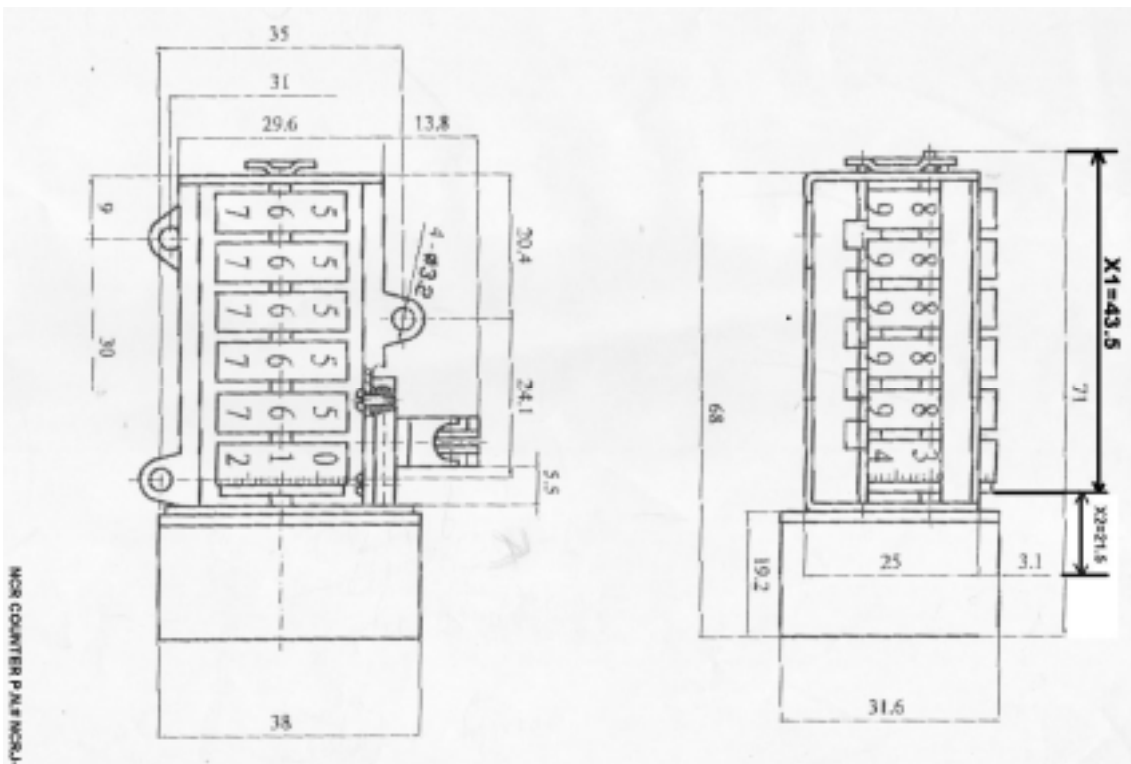
Series NCR Stepping Counter

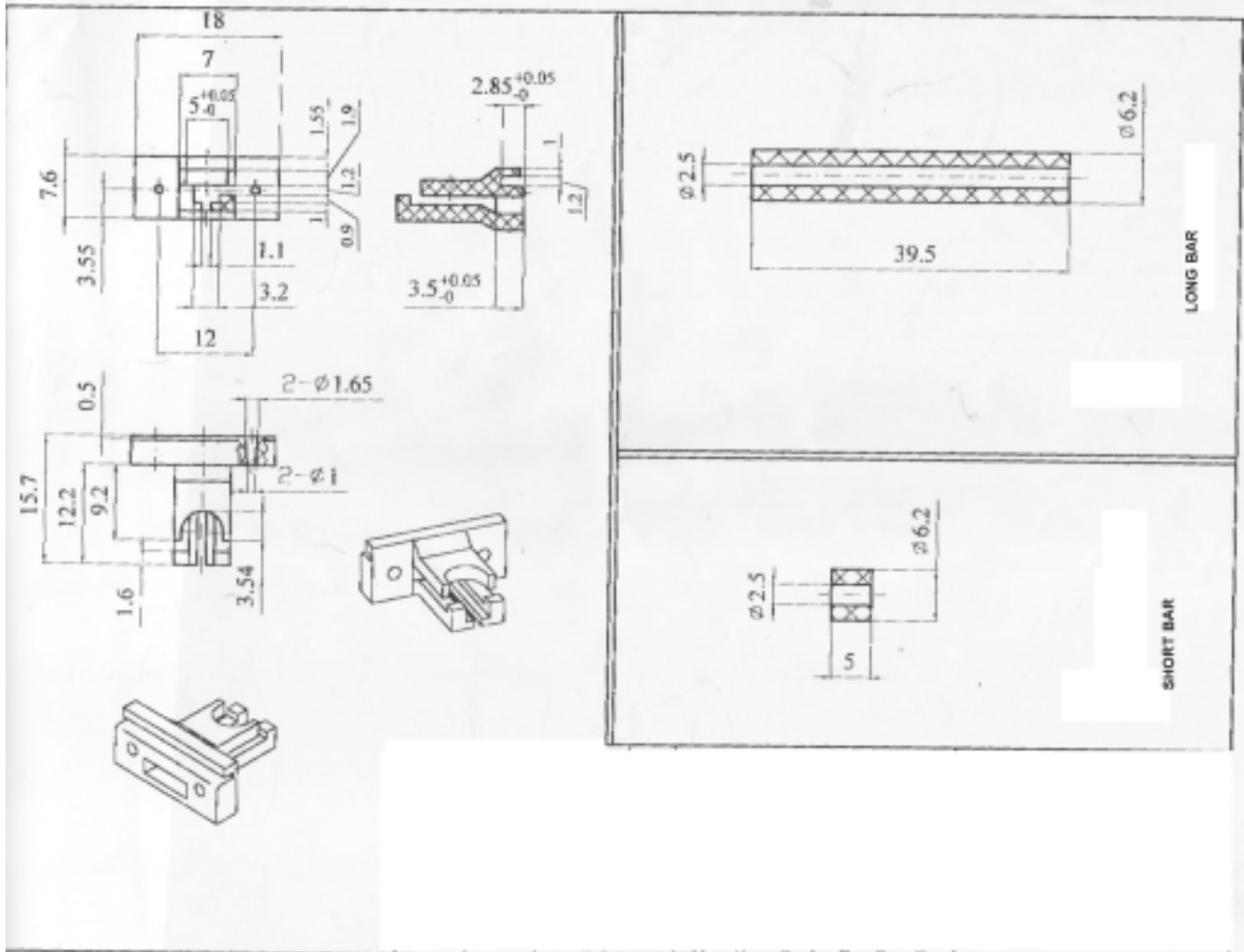
Part No.

Number Status: 0=000000, 9=999999

Dimension

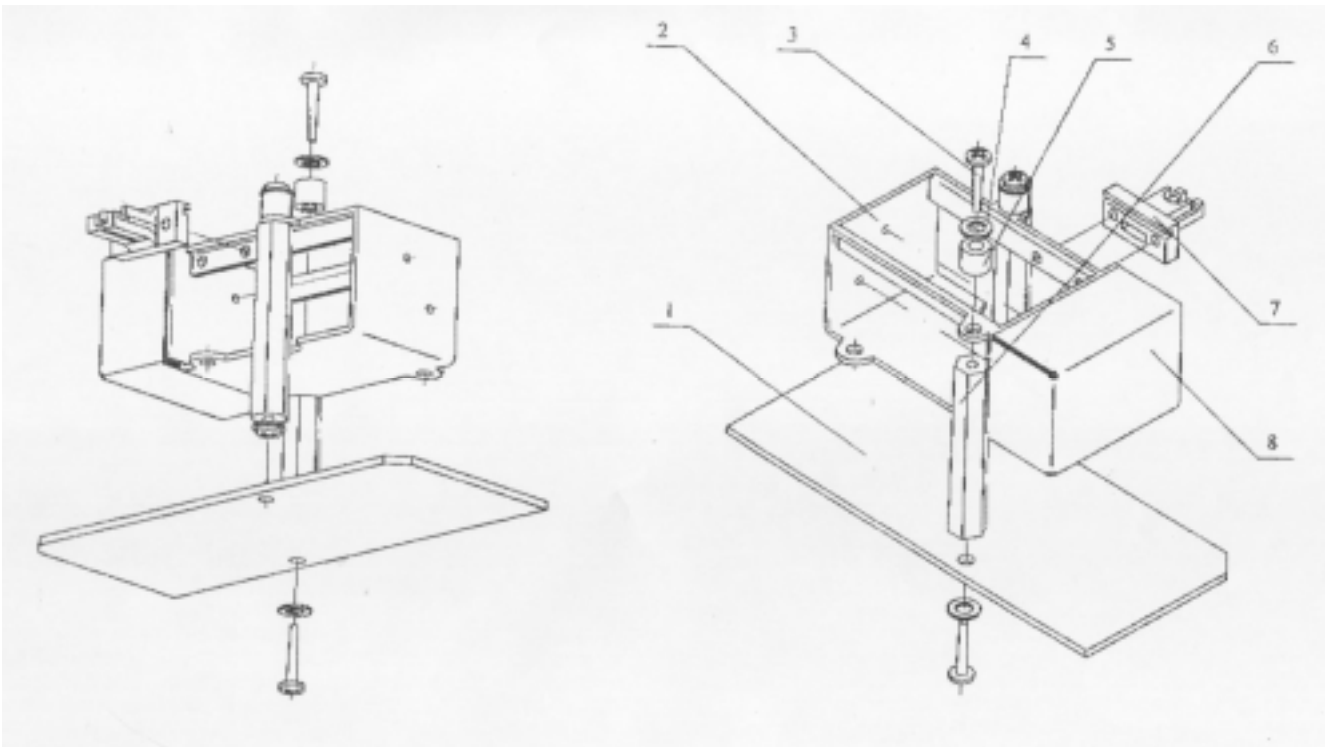
Counter





Mounting Schematic

Bar



1 Printed Circuit Board

4. Metal Washer

Iron

7. LED Holder : ABS

2 Counter

Aluminum Bracket

5. Plastic Insulator Bar

ABS

8. Shielding Cover: Low Carbon Steel

2/3

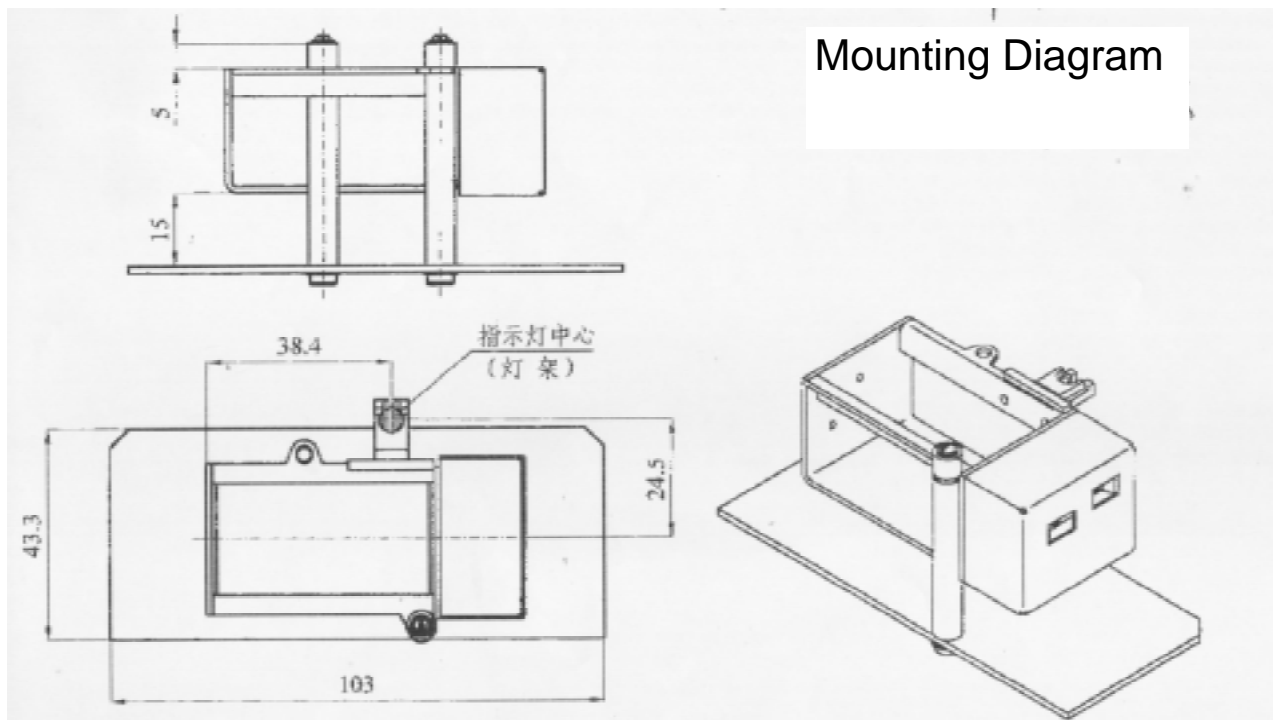
3 Screw

Iron

6. Plastic Support Bar

ABS

Mounting Diagram



Industrial & Electrical Components