



Miniature Latching Relay

Part No.
NRL-08D



- Three Pole contacts, 60A~100A switching capability
- Energy-saving, very low coil power
- Safety: No coil heating, reliable contacting
- Contacts status not change when power failure
- Accessories can be connected on request
- Suitable for Three Phase Prepayment Meter etc.

CONTACT

Arrangement	3A/3B
Contact Material	Silver Alloy
Contact Resistive	Max.: 2 mΩ
Rating Resistive load(cosφ=1)	
100A Version	100A 250VAC
60A Version	60A 250VAC
Max. Switching Voltage	250VAC/110VDC
Max. Switching Power	15000VA 1680W
Expected life	Mechanical 1×10 ⁶ Electrical 5×10 ³ , 5X10 ⁴

CHARACTERISTICS

Operate Time	15ms Max.
Release Time	15ms Max.
Initial breakdown voltage	
Between Coil & Contact	4000VAC (50/60Hz)for 1 min.
Between Open Contacts	1000VAC (50/60Hz)for 1 min.
Insulation Resistance	Min.100MΩ (500 VDC)
Ambient temperature	-40℃ ~ +55℃
Unit weight	≤ 12g
Set Pulse Width	50ms Min

ORDERING INFORMATION

e.g

NRL - 08D - 3A - 12D
 ① ② ③ ④

① Series: NCR Latching Relay

② Part No. D Series

③ Contact arrangement:

④ Coil Voltage: 5~48Vdc

COIL DATA (at 20)

100A type

Rated Voltage (Vdc)	Coil Resistance(Ω) \pm 6%				Rated Coil Power (W)				Set/Reset Voltage (VDC)	Max.Allowable Voltage (VDC)
	Normal		Sensitive		Normal		Sensitive			
	Single Coil	Dual Coil	Single Coil	Dual Coil	Single Coil	Dual Coil	Single Coil	Dual Coil		
5	5	2.5 ; 2.5	8.3	4.2 ; 4.2	5	10.0	3	6.0	70%	150% of rated Voltage In Pulse
6	7.2	3.6 ; 3.6	12	6 ; 6						
9	16.2	8.1 ; 8.1	27	13.5 ; 13.5						
12	28.8	14.4 ; 14.4	48	24 ; 24						
24	115	57.6 ; 57.6	192	96 ; 96						
48	460	230 ; 230	768	384 ; 384						

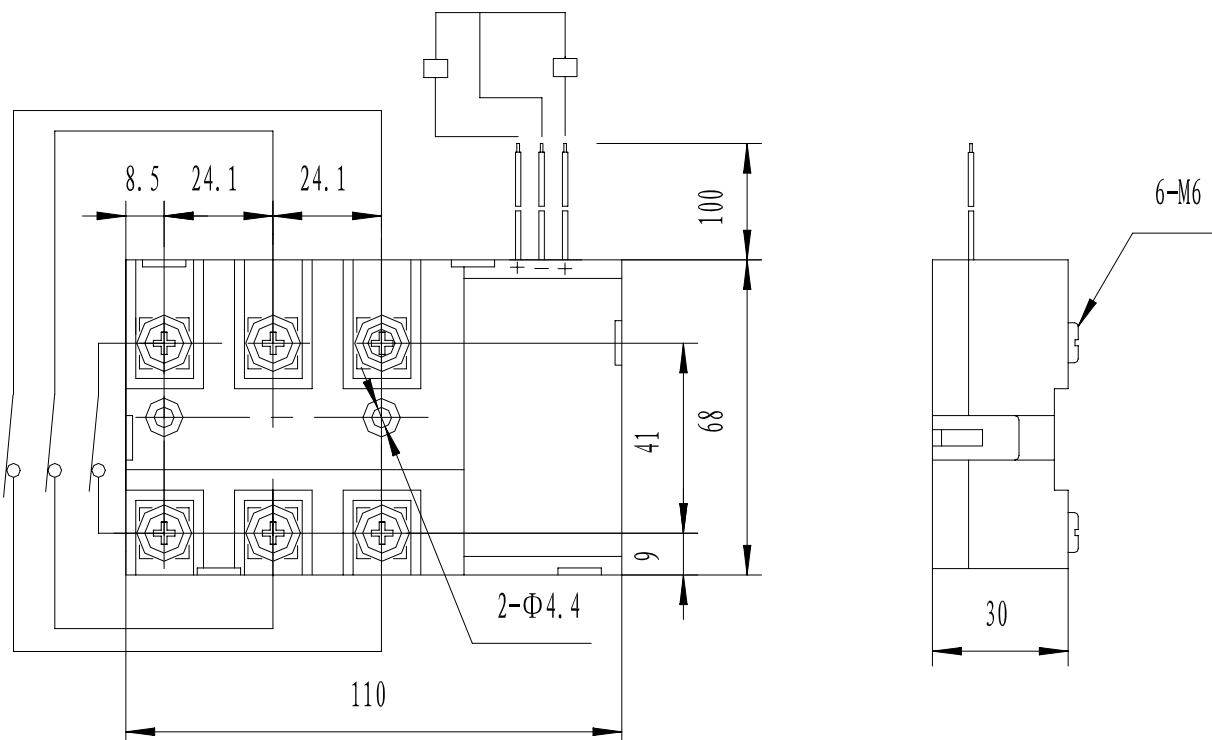
60A type

Rated Voltage (Vdc)	Coil Resistance(Ω) \pm 6%				Rated Coil Power (W)				Set/Reset Voltage (VDC)	Max.Allowable Voltage (VDC)
	Normal		Sensitive		Normal		Sensitive			
	Single Coil	Dual Coil	Single Coil	Dual Coil	Single Coil	Dual Coil	Single Coil	Dual Coil		
3	3.1	1.6 ; 1.6			2.9	5.8			70%	200% of rated Voltage In Pulse
6	12.5	6.3 ; 6.3								
9	30	15 ; 15								
12	50	25 ; 25								
24	200	100 ; 100								
48	800	400 ; 400								

DIMENSIONS

Unit: mm

100A type



60A type

