

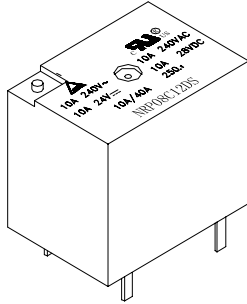


Industrial & Electrical Components

Miniature
P.C.B Relay

Part No.

NRP-08



10A 250Vac switching capacity
Compact dimension
UL/C-UL recognized
Sealed type available

CONTACT

Arrangement	1A / 1B / 1C
Contact Material	Silver Alloy
Contact Resistive	50 mΩ
Rating	10A 240VAC
Resistive load (cosφ=1)	10A 125VAC 10A 28VDC
Max. Switching Voltage	250VAC 100VDC
Max. Switching Current	10A
Max. Switching Power	2400VA / 240W
Expected life	
Mechanical	1×10 ⁷ Min
Electrical	1×10 ⁵ Min.

CHARACTERISTICS

Operate Time	10ms. Max.
Release Time	5ms. Max.
Initial breakdown voltage	
Between Coil & Contact	2000VAC (50/60Hz)for 1 min.
Between Open Contacts	750VAC (50/60Hz)for 1 min.
Insulation Resistance	Min.100MΩ (500 VDC)
Shock: Endurance	10G
Damage	100G
Vibration Endurance	10 to 55 Hz ,1.5mm D.A.
Damage	10 to 55 Hz ,1.5mm D.A.
Humidity	45%~85%RH
Ambient temperature	-40 to +85
Unit weight	11g

ORDERING INFORMATION

e.g

NRP - 08 - C - 12D

Series: Miniature p.c.b Relay

Part No.

Contact Form:

C=1C/O; A = N/O; B= N/C

Coil Voltage: 12D= 12Vdc

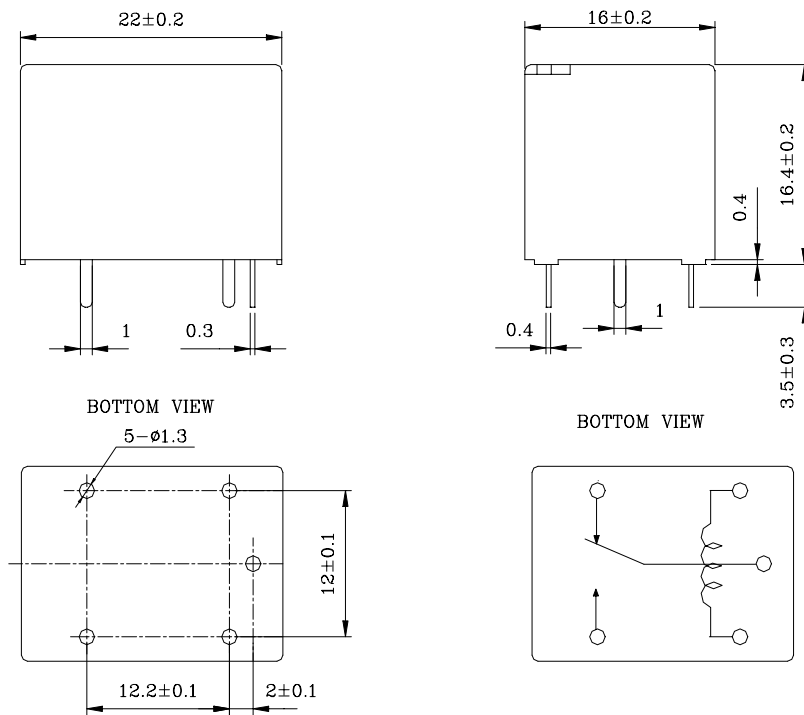
24D= 24Vdc

COIL DATA (at 20)

Nominal Voltage (VDC)	Pick-up Voltage VDC(Max)	Drop-out Voltage VDC(Min)	Coil Resistance (Ω) \pm 10%	Nominal operating Power (W)	Max.Allowable Voltage
3	2.25	0.15	25	0.36	130% of nominal Voltage
5	3.75	0.25	70		
6	4.50	0.30	100		
9	6.75	0.45	225		
12	9.00	0.60	400		
24	18.00	1.20	1600		
48	36.00	2.40	6400		

DIMENSIONS

Unit: mm



Industrial & Electrical Components