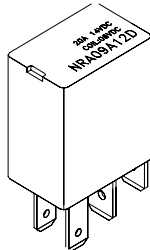




Industrial & Electrical Components

Automotive Relay

Part No. **NRA09**



Fasten connection pins
 Stable function in high or low temp.
 With or without flanger hook
 40A starting load capacity

CONTACT

Arrangement	1A / 1C
Contact Material	Silver Alloy
Contact Resistance	
(By voltage drop 6V 1A)	Max.50mΩ
Rating	
Resistive load	1A: 25A 14VDC
(Cos.Φ=1)	1C: 20A 14VDC
Motor Inrush	
Max. Allowable Voltage	75VDC
Max. Allowable Current	25A
Max. Allowable Power	350W
Service life	
Electrical	1 X 10 ⁵
Machanical	1 X 10 ⁶

CHARACTERISTICS

Operate Time	10ms
Release Time	10ms
Initial breakdown voltage	
Between coil & contact	1000VAC for 1 Min.
Between open contacts	1000VAC for 1 Min.
Insulation Resistance	Min.100MΩ (500 VDC)
Ambient temperature	-40 ~+85
Humidity	45~85%
Shock	Functional 10G
Resistance	Destruction 100G
Vibration	Functional 10 to 55 Hz D.A. of 2mm
Resistance	Destruction 10 to 55 Hz D.A. of 2mm
Unit weight	18g Max.

ORDERING INFORMATION

e.g

NRA - 09 - A - 12D

Series: NCR Automotive Relay Series

Part No.

Contact Form: C=1C/O; A = N/O; B= N/C

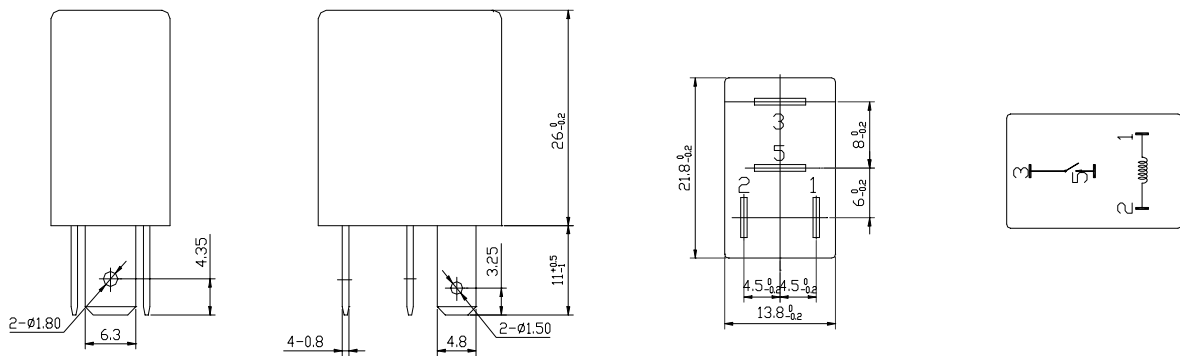
Coil Voltage: 3, 5, 6, 9, 12, 24 dc

COIL DATA (at 20)

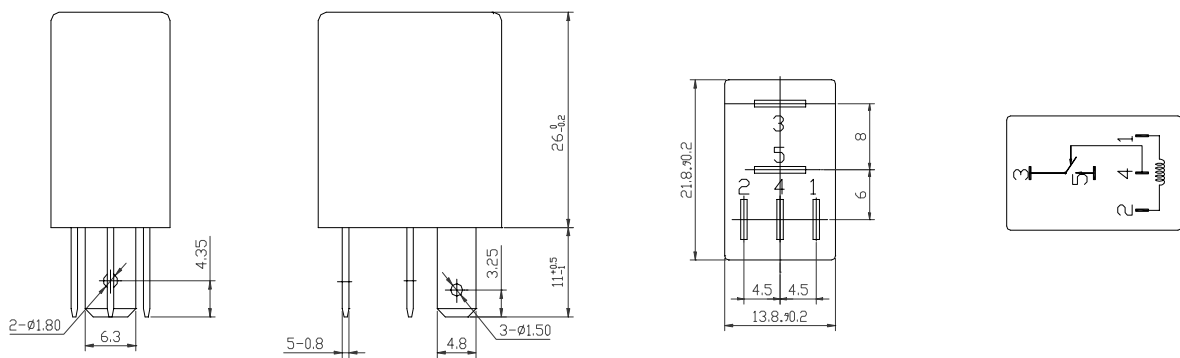
Nominal Voltage (VDC)	Pick-up Voltage VDC(Max)	Drop-out Voltage VDC(Min)	Coil Resistance (Ω)±10% 1.2W	Max.Allowable Voltage
6	3.90	0.30	30	130% apply to nominal Voltage
9	5.85	0.45	68	
12	7.80	0.60	120	
24	15.60	1.20	480	

DIMENSIONS (Unit: mm)

NRA09A



NRA09C



Industrial & Electrical Components